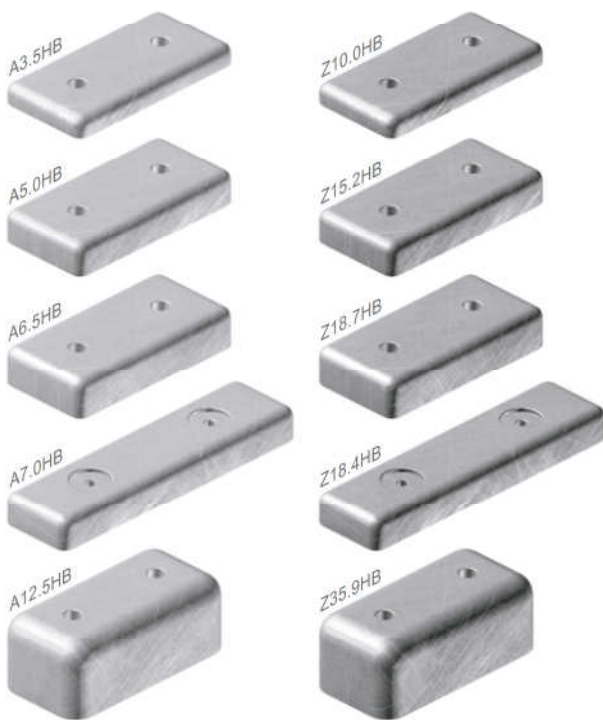


Offshore Corrosion Control Hull Anodes-Bolted (Aluminium and Zinc)



Wasco Lindung’s hull anodes are available in a wide variety of configurations in low-iron, high purity, high efficiency aluminium alloys. For Zinc, Wasco anodes are manufactured in strict accordance with MIL-A-18001-K.

Traditionally, hull anodes are designed for five-year lifetimes. Extended life anode designs may be required for cathodic protection on FPS, FPSO and FSU type vessels. Please consult Wasco for advice on extended life geometries.

Since 1989, Wasco has been a leading, regional manufacturer of offshore anodes – building a solid reputation by delivering innovative corrosion control solutions on time, every time and always at the most competitive prices.

Anode Chemical Composition and Electrochemical Properties

Aluminium

	MPE III	MPE Deepwater 7 (Cold Water)
Element	Weight (%)	Weight (%)
Iron (Fe)	0.10 max	0.07 max
Silicon (Si)	0.10 max	0.10 max
Copper (Cu)	0.006 max	0.003 max
Zinc (Zn)	2.0 – 6.0	2.0 – 6.0
Indium (In)	0.01 – 0.05	0.015 – 0.025
Titanium (Ti)	0.025 max	0.025 max
Others (each)	0.02 max	0.02 max
Aluminium (Al)	Remainder	Remainder

Electrochemical Properties		
Nominal Current Capacity (amp-hr/kg)	2500	2500
Open Circuit Potential (Ag/AgCl)	-1.10 Volts	-1.10 Volts

Zinc (MIL-A-18001-K)

	MPE Zinc
Element	Weight (%)
Iron (Fe)	0.005 max
Lead (Pb)	0.006 max
Copper (Cu)	0.005 max
Aluminium	0.1 – 0.5
Cadmium (Cd)	0.025 – 0.070
Others	Total 0.10 max
Zinc (Zn)	Remainder

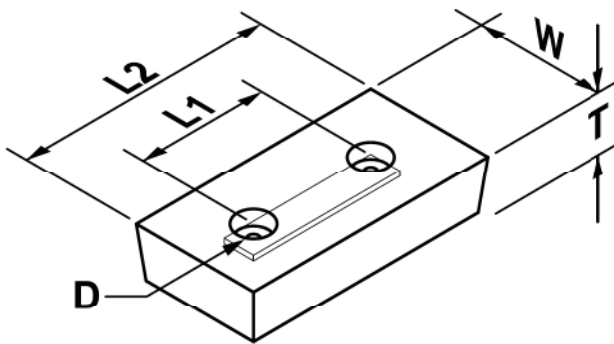
Electrochemical Properties	
Nominal Current Capacity (amp-hr/kg)	780
Open Circuit Potential (Ag/AgCl)	-1.05 Volts

The MPE Deepwater 7 (Cold Water) chemical composition is recommended for deep or cold water applications where the temperature is expected to be below 6°C. Electrochemical testing is performed at 5°C.



Offshore Corrosion Control Hull Anodes-Bolted (Aluminium and Zinc)

Dimensions - Wasco Bolted Hull Anodes



Aluminium	Anode Type	Gross Weight (Kg)	Nett Weight (Kg)	L1 (mm)	L2 (mm)	W (mm)	T (mm)	D (mm)
	A3.5HB	3.6	3.5	160	300	150	32	26
	A5.0HB	5.2	5	160	300	150	50	26
	A6.5HB	6.7	6.5	160	300	150	60	26
	A7.0HB	7.2	7	230	450	120	50	16
	A12.5HB	12.8	12.5	160	300	150	115	26

Zinc	Anode Type	Gross Weight (Kg)	Nett Weight (Kg)	L1 (mm)	L2 (mm)	W (mm)	T (mm)	D (mm)
	Z10.0HB	10.2	10	160	300	150	32	26
	Z15.2HB	15.4	15.2	160	300	150	50	26
	Z18.7HB	19.0	18.7	160	300	150	60	26
	Z18.4HB	18.6	18.4	230	450	120	50	16
	Z35.9HB	36.3	35.9	160	300	150	115	26

